

# RETRIEVER 50™

## Lamp Column Adapter Mounting Kit Fitting Instructions

**IMPORTANT NOTE:- OPERATORS MUST WEAR APPROPRIATE SAFETY GLOVES WHEN INSTALLING AND HANDLING THIS PRODUCT.**

**IMPORTANT NOTE:- ENSURE THAT ALL RELEVANT PERSONNEL READ THE POINTS LISTED BELOW AND THAT A COPY IS PASSED ON TO STAFF INVOLVED WITH THE INSTALLATION.**

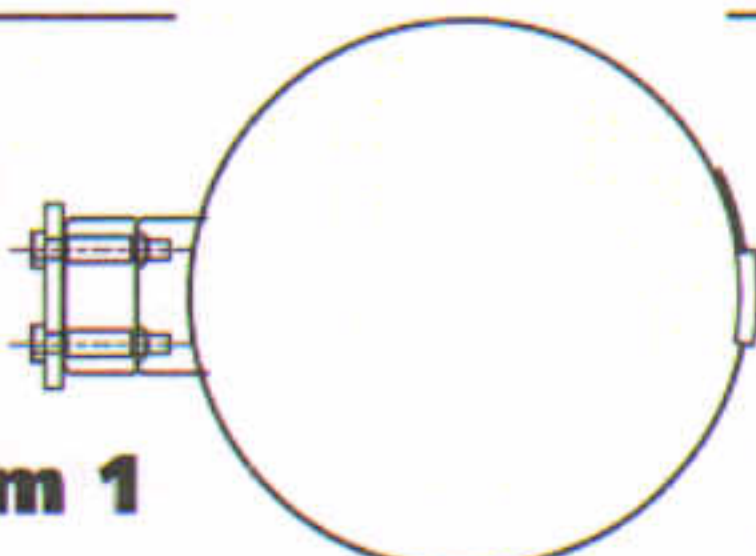
### Parts list

1) Lamp Column Adapter Bracket	x1
2) Bolt M8 x 40mm	x2
3) Metal Spacer	x2
4) Bridging 'C' Bracket	x1
5) Screw M8 x 25	x4
• Stainless steel Backbone	x1
• Bin and Key	x1

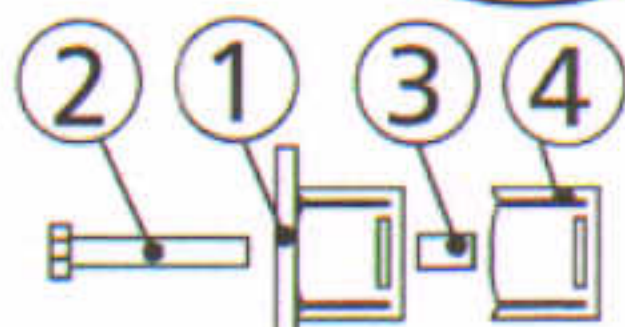
### Equipment Needed for Installation (not included)

15mm Spanner  
Flat Head Screwdriver  
Safety Gloves  
Tespa or Tamtorque bandings are not included with the kit, but are available from Glasdon as a separate kit

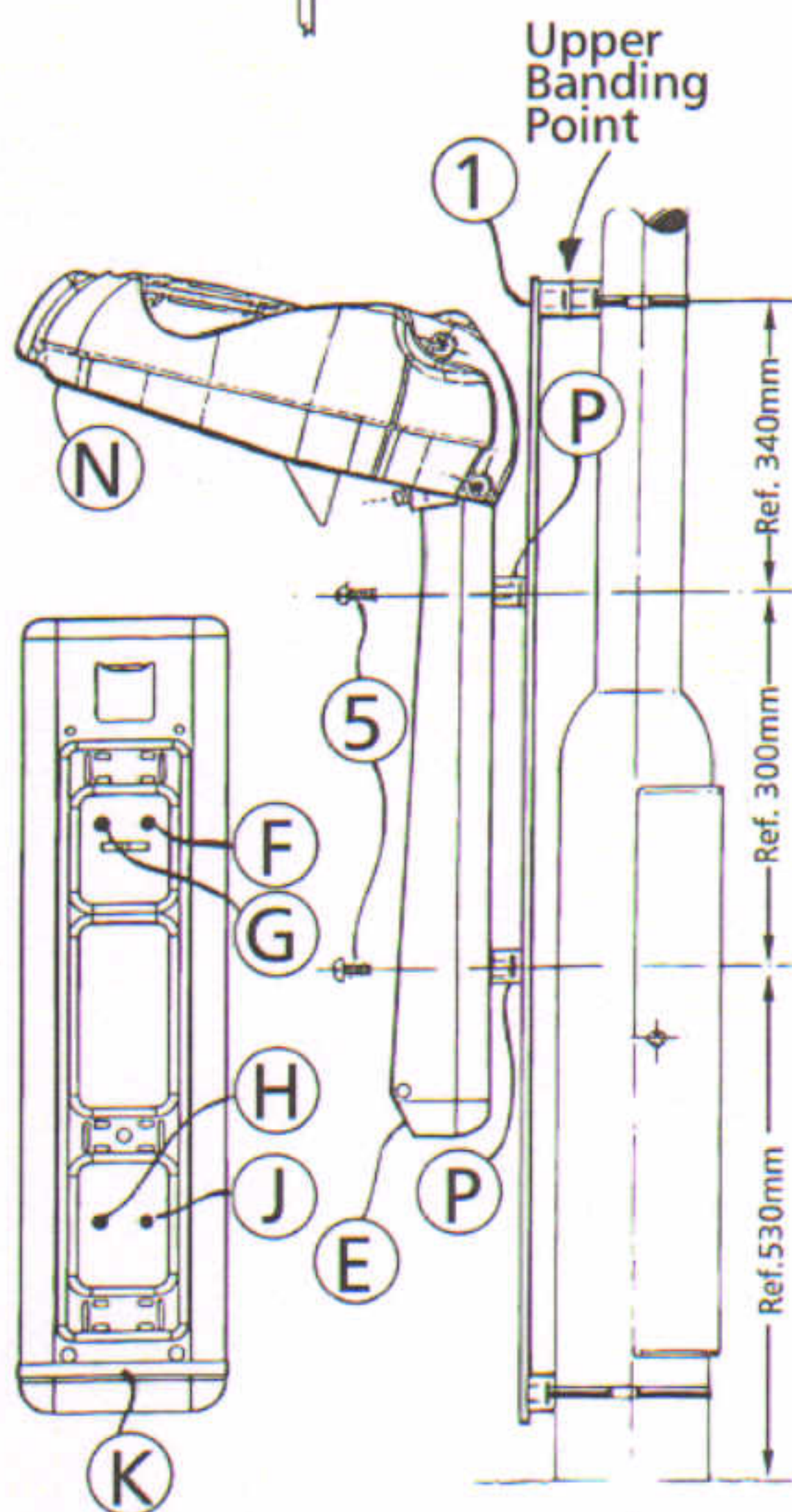
PLAN VIEW  
not to scale



**Diagram 1**



- 1** For lamp columns of differing profiles as shown use the bridging 'C' bracket ( 4 ) to extend the upper banding point. See Diagram 1.
- 2** Fix using two hexagon head machine screw bolts ( 2 ), complete with spacers ( 3 ) into the pre-drilled attachment.



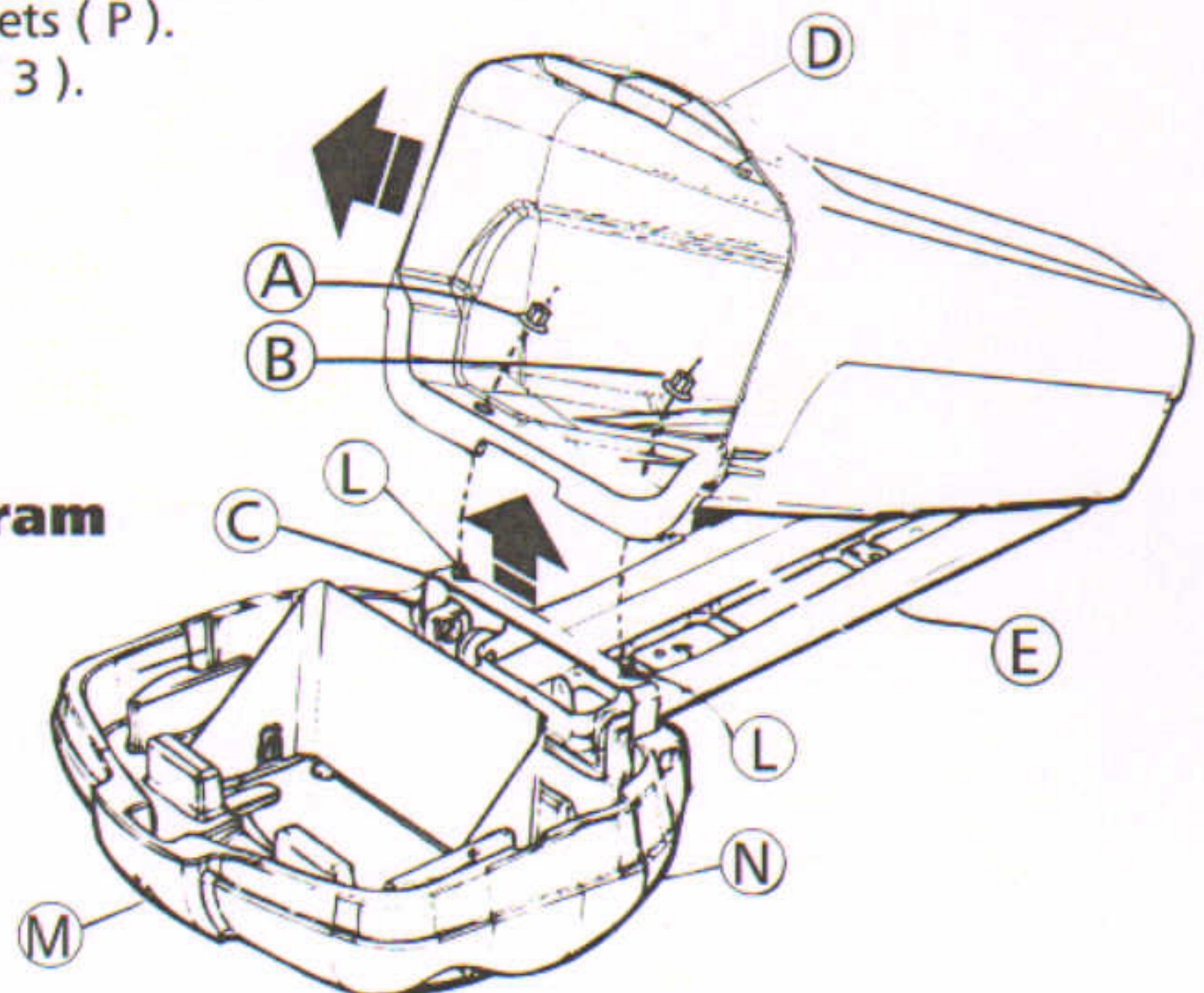
**Diagram 3**

- 3** The lamp column bracket may then be affixed to the post using the banding choice ensuring inspection covers etc. remain accessible. See Diagram 3.

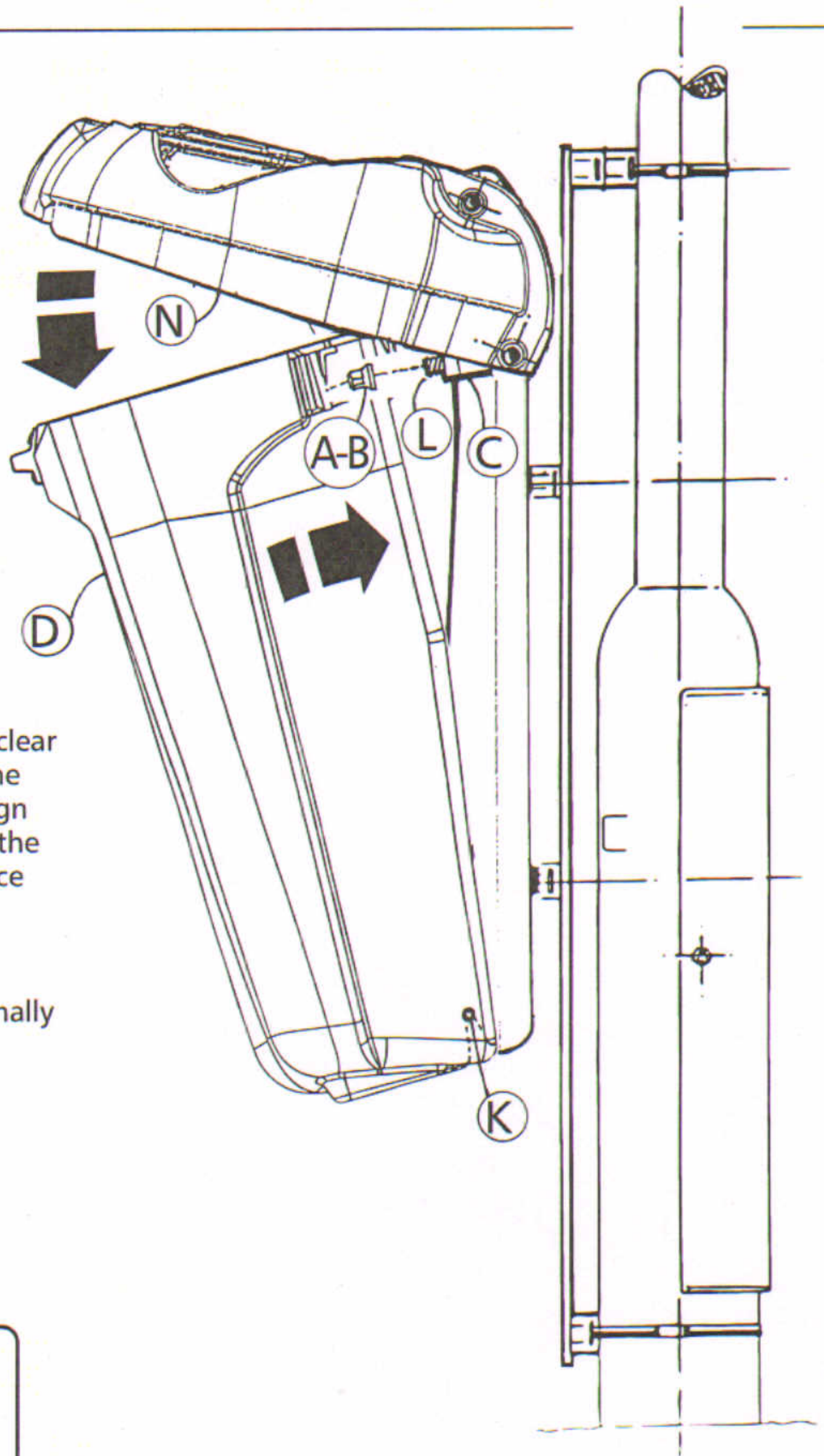
- 4** To mount the bin onto the brackets it is first necessary to separate the bin base away from the hood and stainless steel backbone components. See Diagram 2. Separate the base ( D ) by unlocking the bin at point ( M ) in a horizontal position with the key provided. Release and remove both top fixings ( A & B ) with a 15mm spanner from inside the base, these hold the base to the retainer bar. ( C ) Pivot and lift the base ( D ) away from the metal backbone ( E ) and place base safely to one side.

- 5** With assistance to support the hood component ( N ) align the metal backbone ( E ) up with the adapter brackets ( P ) and secure with fixings ( 5 ) through holes ( F, G, H & J ) into threaded adapter brackets ( P ). See Diagram ( 3 ).

**Diagram 2**



**Diagram  
4**

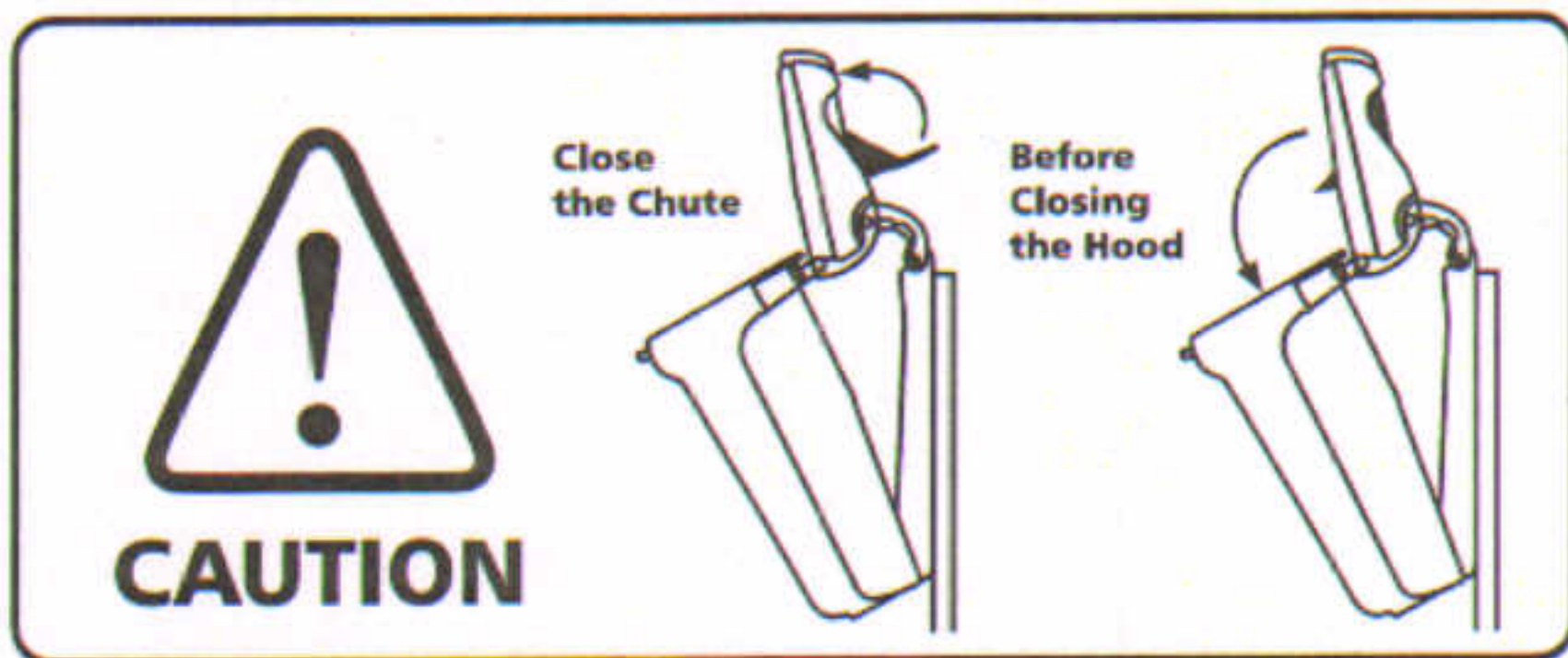


**6** Replace the base ( D ) by lifting the hood ( N ) clear and connecting the lower point feature with the pivot rod ( K ) within the metal backbone. Align both upper fixing hole points in the base with the retainer bar threads ( L ) in the hood and replace and secure fixings ( A & B ). See Diagram 4

**7** The bin interior can now be prepared operationally for use depending upon liner choice. The hood will lock without the use of a key by lowering it onto the base and slamming shut.

**CAUTION - METAL CHUTE VERSION**

During emptying or maintenance procedures ensure that the caution notice is observed when closing the hood section assembly.




■ A planned maintenance schedule of regular inspection is recommended, replacing components as necessary.

■ Replacement components are available direct from GLASDON UK LTD.

■ GLASDON UK LTD. cannot be held responsible for claims arising from incorrect installation, unauthorised modifications or misuse of the product.

Issue 4 Dec. 2011 Stock no. C000/0258  
© Copyright December 2011

Glasdon reserve the right to alter specification without prior notice.

 **Glasdon** AND RETRIEVER 50 ARE TRADEMARKS OF GLASDON GROUP OR ITS SUBSIDIARIES IN THE U.K. AND OTHER COUNTRIES.



**Glasdon U.K. Limited**

Preston New Road  
BLACKPOOL  
Lancashire FY4 4UL

Tel: 01253 600410  
Fax: 01253 792558  
e-mail:sales@glasdon-uk.co.uk  
web:www.glasdon.com